

5

4

3

SIZE
B

SC2059

REV
A

2

1

THIS DOCUMENT MAY BE DISTRIBUTED FREELY
www.EasternVoltageResearch.com

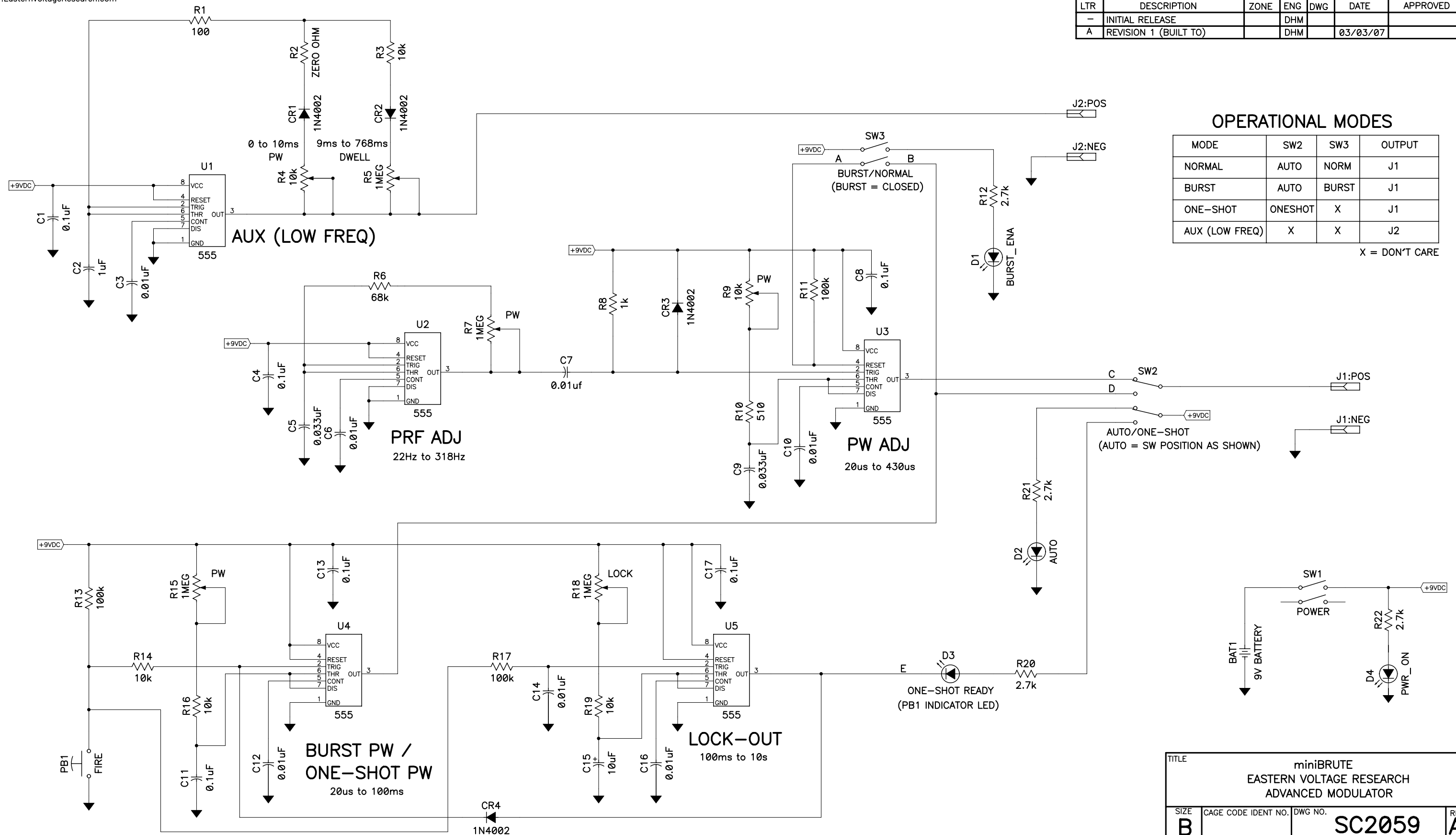
REVISIONS

LTR	DESCRIPTION	ZONE	ENG	DWG	DATE	APPROVED
-	INITIAL RELEASE		DHM			
A	REVISION 1 (BUILT TO)		DHM		03/03/07	

OPERATIONAL MODES

MODE	SW2	SW3	OUTPUT
NORMAL	AUTO	NORM	J1
BURST	AUTO	BURST	J1
ONE-SHOT	ONESHOT	X	J1
AUX (LOW FREQ)	X	X	J2

X = DON'T CARE



TITLE: miniBRUTE
EASTERN VOLTAGE RESEARCH
ADVANCED MODULATOR

SIZE B	CAGE CODE IDENT NO.	DWG NO. SC2059	REV A
SCALE NTS	ACT WT	CALC WT	SHEET 1 OF 1

ACCEL CAD file: SC2059