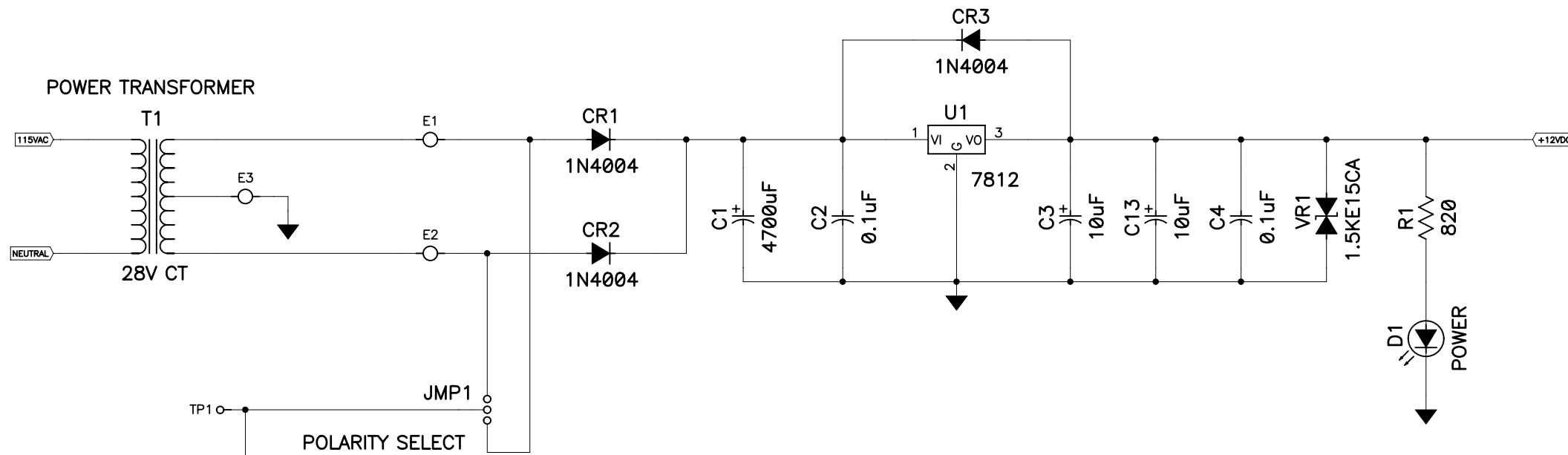


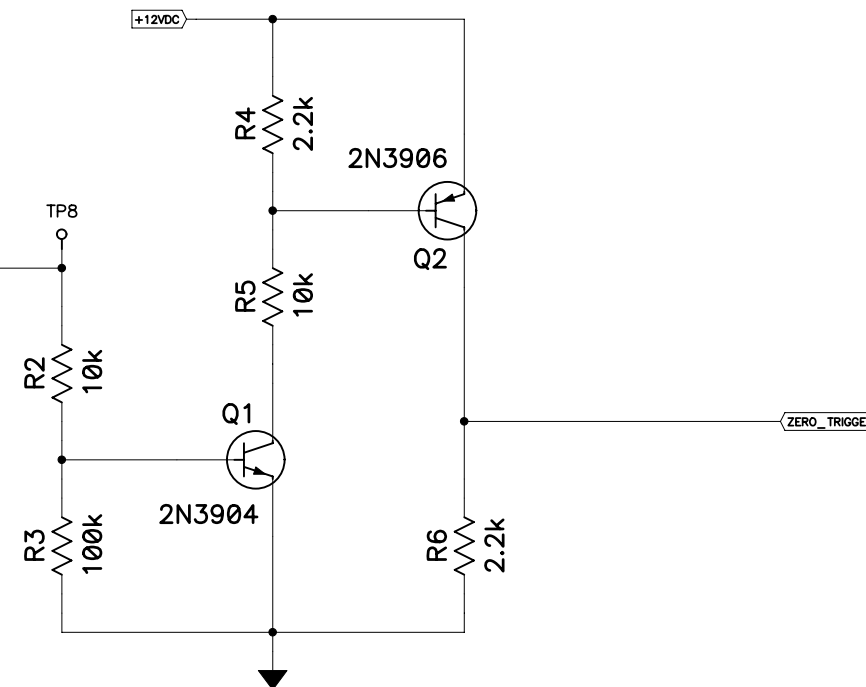
THIS DOCUMENT MAY BE DISTRIBUTED FREELY.

REVISIONS

| LTR | DESCRIPTION | ZONE | ENG | DWG | DATE | APPROVED |
|-----|-----------------|------|-----|-----|------|----------|
| - | INITIAL RELEASE | | DHM | | | |



ZERO CROSSING DETECTION CIRCUIT



NOTES:

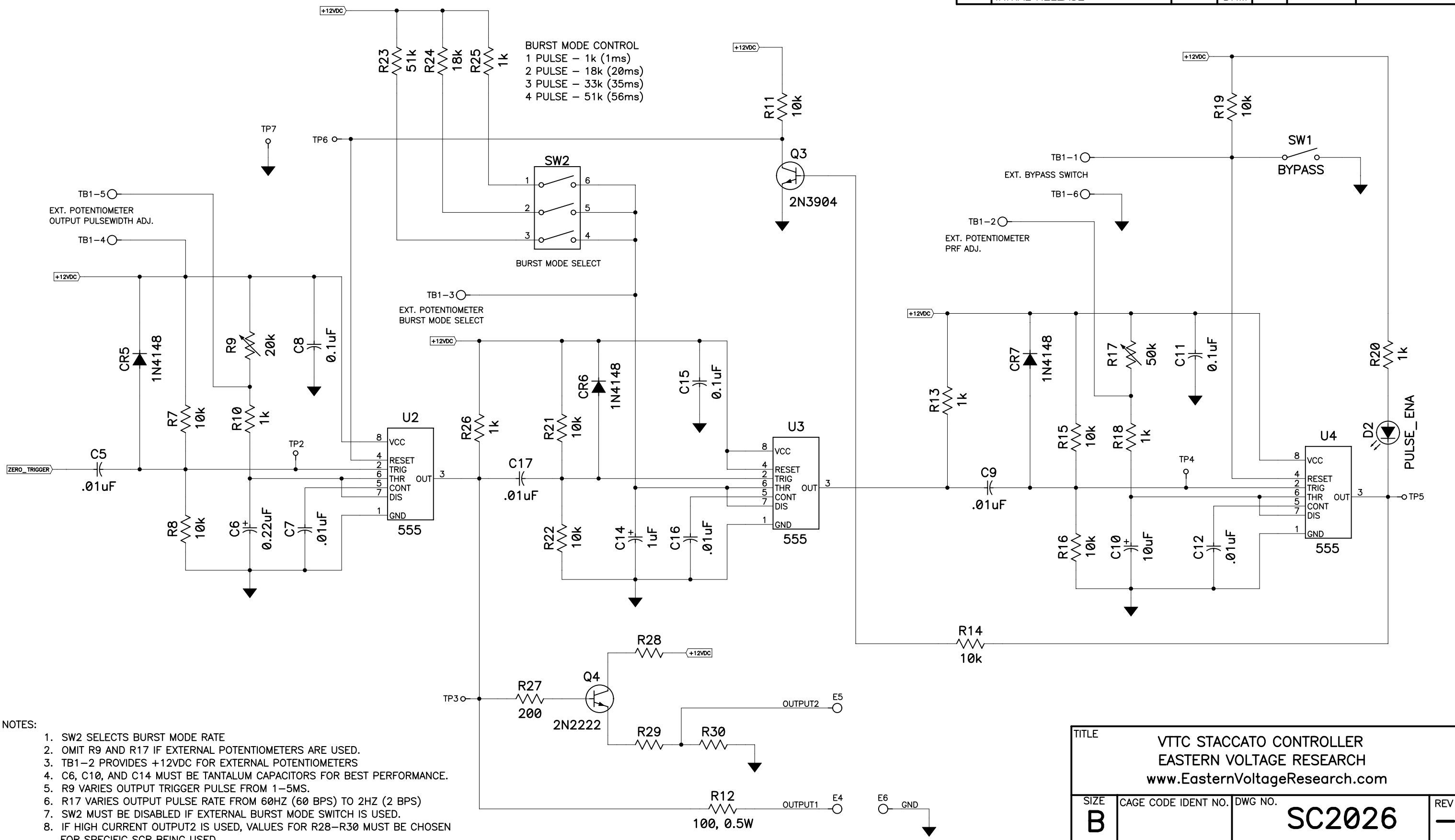
1. STACATTO CONTROLLER CIRCUIT BASED ON DAVE SHARPE AND JOHN FREAU'S DESIGN.
2. ZERO CROSSING CIRCUIT BASED ON JOHN TEBBS' SPARK GAP PHASE CONTROLLER DESIGN.

| | | | |
|---|---------------------|-------------------|--------------|
| TITLE VTTC STACCATO CONTROLLER EASTERN VOLTAGE RESEARCH www.EasternVoltageResearch.com | | | |
| SIZE B | CAGE CODE IDENT NO. | DWG NO. SC2026 | REV - |
| SCALE NTS | ACT WT | CALC WT | SHEET 1 OF 2 |

THIS DOCUMENT MAY BE DISTRIBUTED FREELY.

REVISIONS

| LTR | DESCRIPTION | ZONE | ENG | DWG | DATE | APPROVED |
|-----|-----------------|------|-----|-----|------|----------|
| - | INITIAL RELEASE | | DHM | | | |



BURST MODE CONTROL
 1 PULSE - 1k (1ms)
 2 PULSE - 18k (20ms)
 3 PULSE - 33k (35ms)
 4 PULSE - 51k (56ms)

- NOTES:
1. SW2 SELECTS BURST MODE RATE
 2. OMIT R9 AND R17 IF EXTERNAL POTENTIOMETERS ARE USED.
 3. TB1-2 PROVIDES +12VDC FOR EXTERNAL POTENTIOMETERS
 4. C6, C10, AND C14 MUST BE TANTALUM CAPACITORS FOR BEST PERFORMANCE.
 5. R9 VARIES OUTPUT TRIGGER PULSE FROM 1-5MS.
 6. R17 VARIES OUTPUT PULSE RATE FROM 60HZ (60 BPS) TO 2HZ (2 BPS)
 7. SW2 MUST BE DISABLED IF EXTERNAL BURST MODE SWITCH IS USED.
 8. IF HIGH CURRENT OUTPUT2 IS USED, VALUES FOR R28-R30 MUST BE CHOSEN FOR SPECIFIC SCR BEING USED.

TITLE
VTC STACCATO CONTROLLER
 EASTERN VOLTAGE RESEARCH
 www.EasternVoltageResearch.com

| | | | |
|------------------|---------------------|--------------------------|-----------------|
| SIZE B | CAGE CODE IDENT NO. | DWG NO. SC2026 | REV - |
| SCALE NTS | ACT WT | CALC WT | SHEET 2 OF 2 |