

5

4

3

SIZE
C

SC2048

REV
-

2

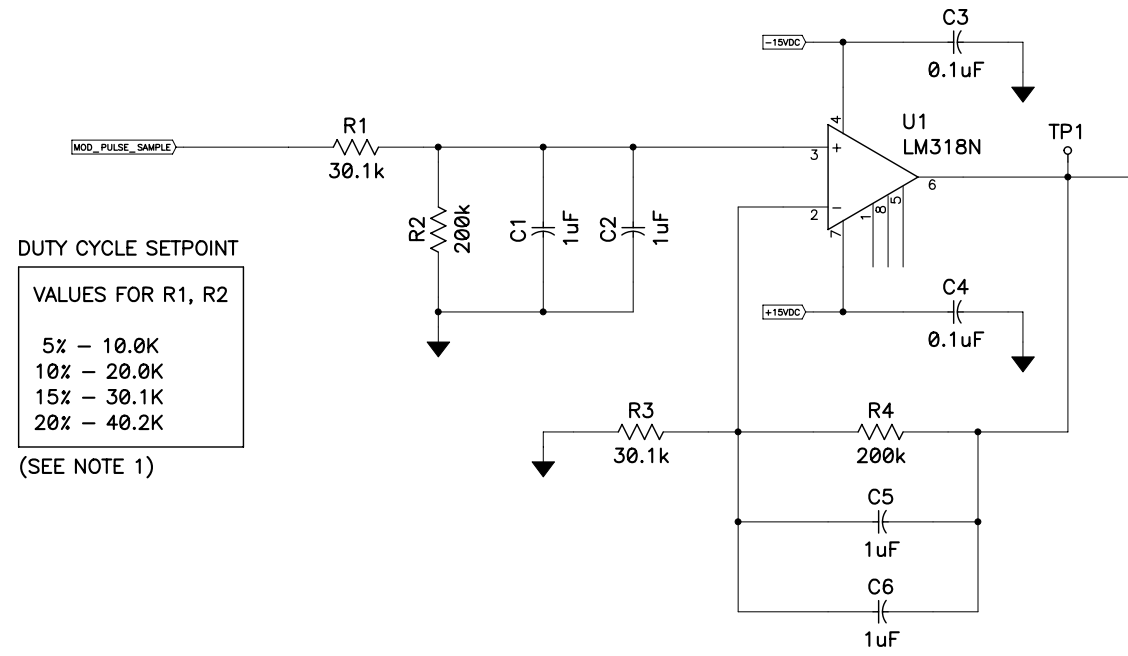
1

EASTERN VOLTAGE RESEARCH PROPRIETARY INFORMATION

REVISIONS

LTR	DESCRIPTION	ZONE	ENG	DWG	DATE	APPROVED
-	INITIAL RELEASE		DHM			

MAX DUTY CYCLE DETECTION

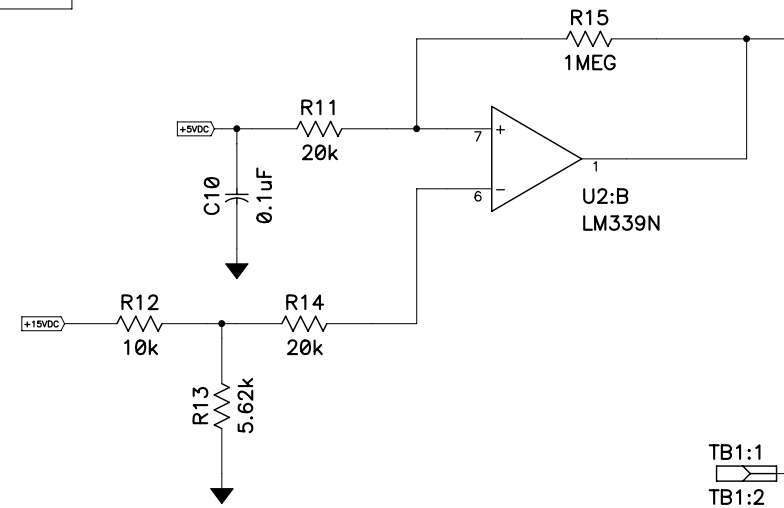


DUTY CYCLE SETPOINT
VALUES FOR R1, R2

5% - 10.0K
10% - 20.0K
15% - 30.1K
20% - 40.2K

(SEE NOTE 1)

GATE DRIVE VOLTAGE MONITORING

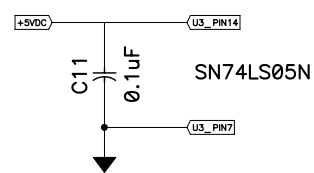


GATE DRIVE SETPOINT
VALUES FOR R1

14.5V - 5.36K
14.0V - 5.62K
13.5V - 5.90K
13.0V - 6.34K
12.5V - 6.81K
12.0V - 7.15K
11.0V - 8.45K
10.0V - 10.0K

(SEE NOTE 1)

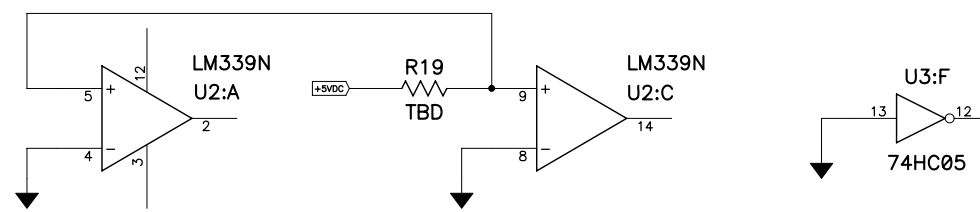
DIGITAL POWER CONNECTIONS



NOTES:
1.

EXTERNAL PULSE INHIBIT

OPEN = OKAY
CLOSED = PULSE INHIBIT



TITLE ADVANCED PSSTC DRIVER BOARD EASTERN VOLTAGE RESEARCH FD/FI CIRCUITRY					
SIZE C	CAGE CODE IDENT NO.	DWG NO. SC2048	REV -		
SCALE NTS	ACT WT	CALC WT	SHEET 1 OF 4		
ACCEL CAD file: SC2048					

5

4

3

2

1

5

4

3

SIZE
C

SC2048

REV
-

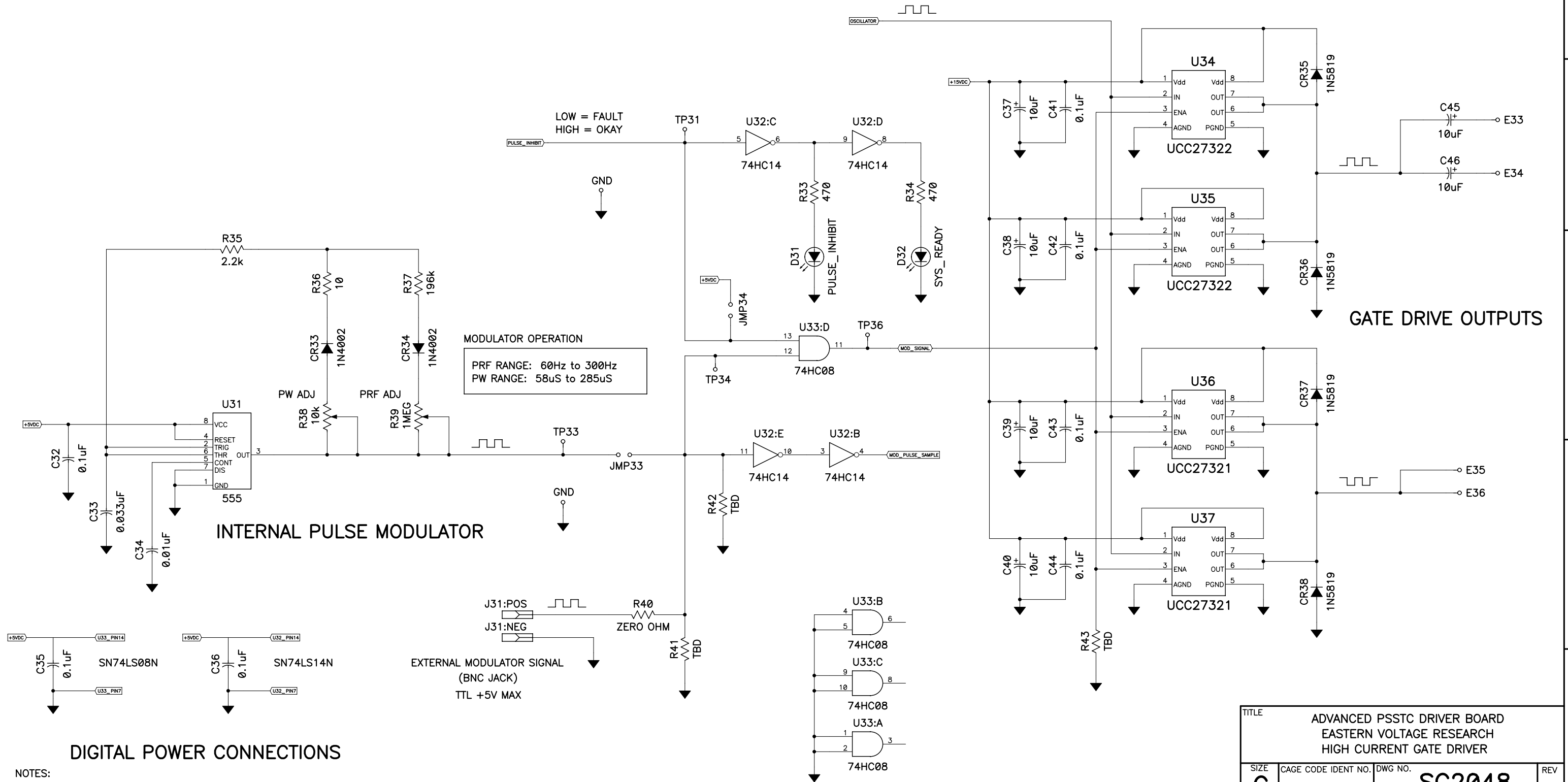
2

1

EASTERN VOLTAGE RESEARCH PROPRIETARY INFORMATION

REVISIONS

LTR	DESCRIPTION	ZONE	ENG	DWG	DATE	APPROVED
-	INITIAL RELEASE		DHM			



NOTES:

- 1. 1N60 GERMANIUM DIODES CAN BE SUBSTITUTED FOR THE 1N90'S.

TITLE ADVANCED PSSTC DRIVER BOARD EASTERN VOLTAGE RESEARCH HIGH CURRENT GATE DRIVER					
SIZE C	CAGE CODE IDENT NO.	DWG NO. SC2048	REV -		
SCALE NTS	ACT WT	CALC WT	SHEET 2 OF 4		
ACCEL CAD file: SC2048					

5

4

3

SIZE
C

SC2048

REV
-

2

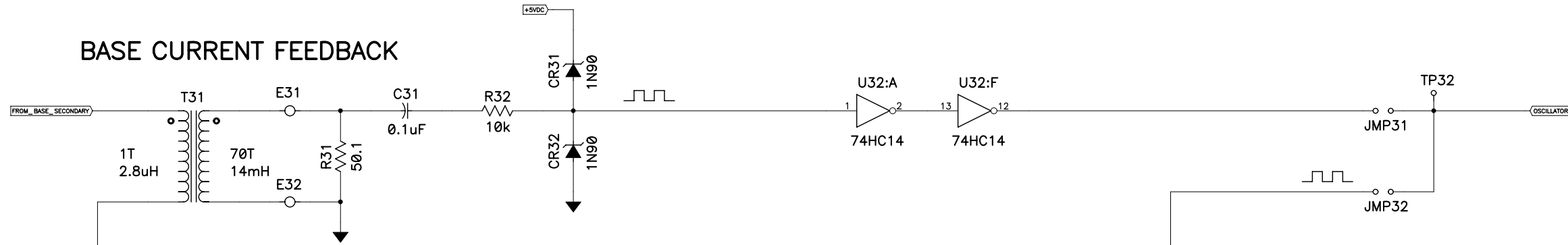
1

EASTERN VOLTAGE RESEARCH PROPRIETARY INFORMATION

REVISIONS

LTR	DESCRIPTION	ZONE	ENG	DWG	DATE	APPROVED
-	INITIAL RELEASE		DHM			

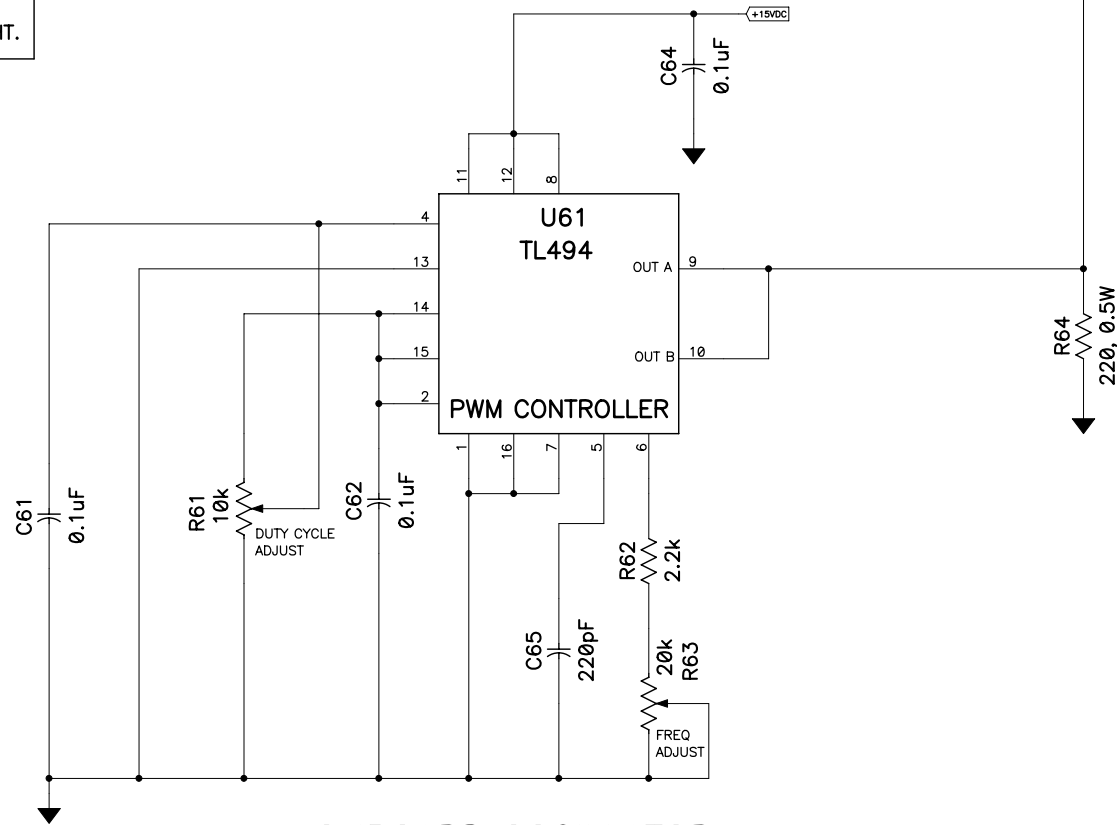
BASE CURRENT FEEDBACK



CURRENT TRANSFORMER (T31)

FAIR-RITE 5978006401
 CORE MATERIAL TYPE 78
 PRIMARY WINDING 1T
 SECONDARY WINDINGS 70T
 AL = 2885nH
 L = AL x N²
 .870" O.D x .540" I.D. x .500" HT.

ONBOARD OSCILLATOR



NOTES:

1.

TITLE ADVANCED PSSTC DRIVER BOARD EASTERN VOLTAGE RESEARCH OSCILLATOR					
SIZE C	CAGE CODE IDENT NO.	DWG NO. SC2048	REV -		
SCALE NTS	ACT WT	CALC WT	SHEET 3 OF 4		
ACCEL CAD file: SC2048					

5

4

3

2

1

ACCEL CAD file: SC2048

5

4

3

SIZE
C

SC2048

REV
-

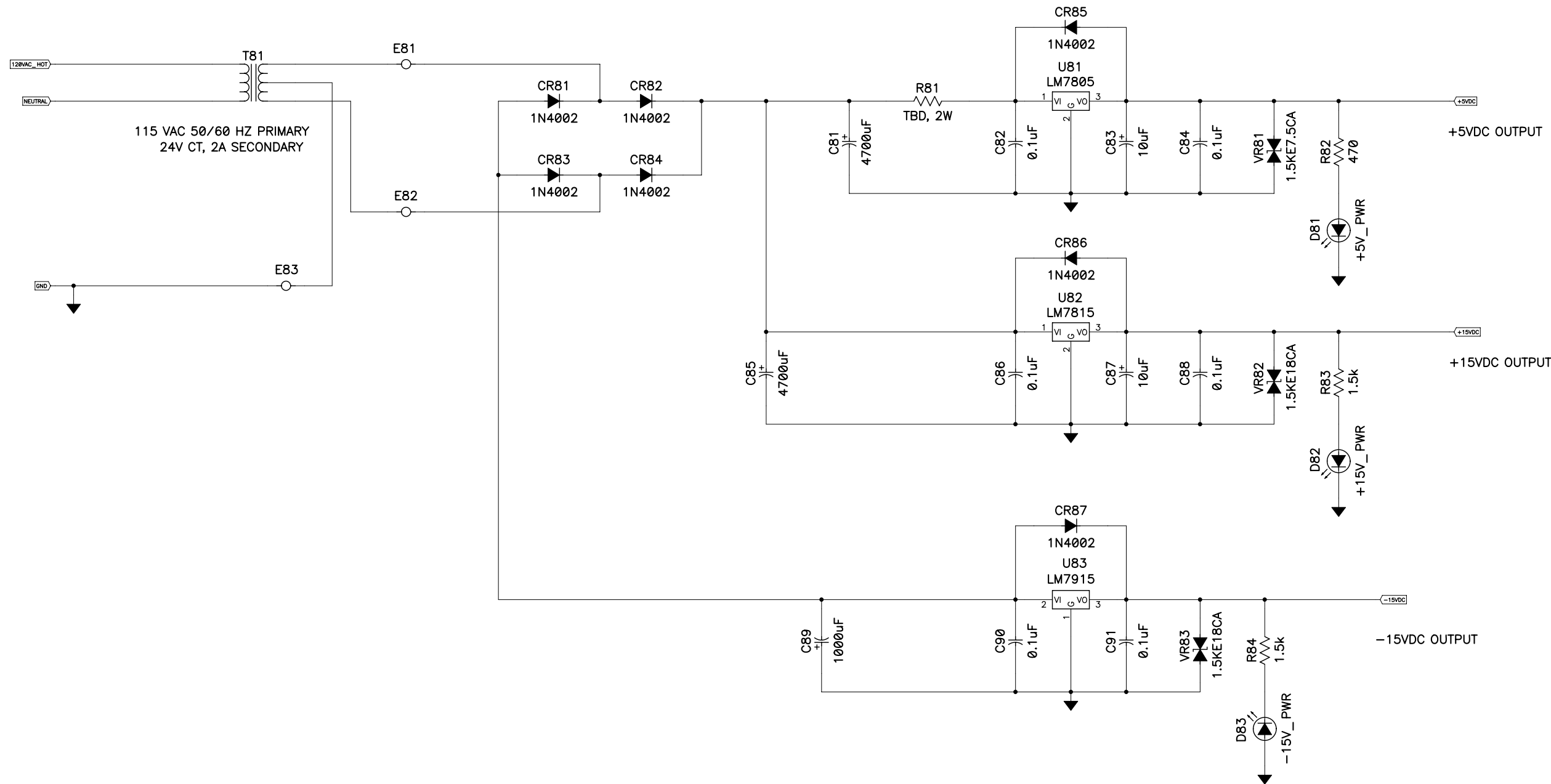
2

1

EASTERN VOLTAGE RESEARCH PROPRIETARY INFORMATION

REVISIONS

LTR	DESCRIPTION	ZONE	ENG	DWG	DATE	APPROVED
-	INITIAL RELEASE		DHM			



NOTES:
1.

LOW VOLTAGE POWER SUPPLY

TITLE ADVANCED PSSTC DRIVER BOARD EASTERN VOLTAGE RESEARCH LOW VOLTAGE POWER SUPPLY					
SIZE C	CAGE CODE IDENT NO.	DWG NO. SC2048	REV -		
SCALE NTS	ACT WT	CALC WT	SHEET 4 OF 4		
			ACCEL CAD file: SC2048		

5

4

3

2

1

ACCEL CAD file: SC2048